

Signature Series

Maximum Resilience Broadcast Audio



Signature U2B4

2 off stereo unbalanced to balanced converters



U2B4 Front



U2B4 Rear

FEATURES

2 x unbalanced stereo inputs to balanced stereo outputs

Can be used as 4 x mono unbalanced to balanced converters

Gain controls to adjust domestic to professional levels

Wide range mains input & external DC backup

The Signature U2B4 is a broadcast specification twin stereo unbalanced to balanced analogue audio interface that is equally suitable for professional & home studio use.

Its primary job is to interface domestic type audio outputs (unbalanced) to the balanced audio inputs on broadcast and professional audio equipment.

As well as providing a balanced interface the U2B4 also provides variable gain/ loss to allow the lower level audio outputs produced by domestic equipment to be raised to meet the higher level broadcast and pro audio standard.

The two stereo audio inputs (which can work as quad monos) are on gold plated RCA phono connectors. These inputs are electronically isolated with RF filters to prevent extraneous

signals, and fed via multi-turn preset gain controls on the rear panel to two pairs of electronically balanced and isolated outputs on Neutrik XLRs.

The rear panel gain controls are multi-turn presets to allow accurate gain setting and are also recessed to prevent accidental movement.

Power is provided by an internal switch mode power supply, with a wide input range. There is also an input for external 12v DC power. The 12v DC input can be connected to the optional Signature PS1 external DC Master Power Station, for situations where a redundant power supply is desirable.

A bright front panel LED indicates that the unit is operational.



Glensound
Keeps Working

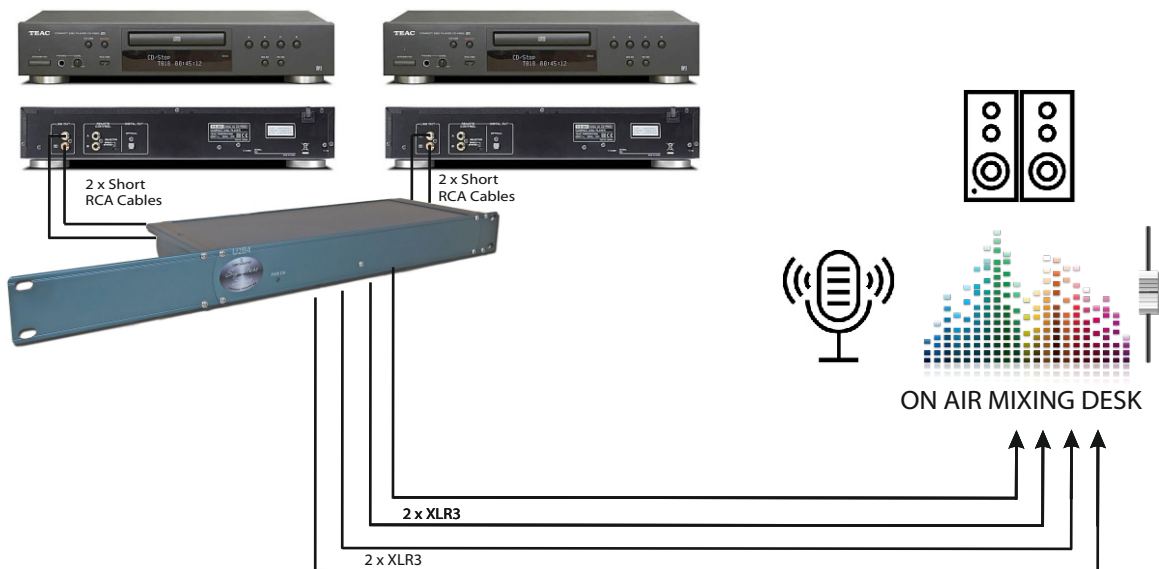
Signature U2B4

2 off stereo unbalanced to balanced converters

EXAMPLE APPLICATION

CD PLAYERS TO BROADCAST DESK

Interface two domestic CD players to a Broadcast desk



Many radio stations and studios incorporate mid level domestic audio equipment such as CD players as they provide reasonable value for money in comparison to professional versions. The output of such devices need to be correctly interfaced with a professional or broadcast audio desk.

In this example the U2B4 will be located near the two CD players as it is prudent to keep the unbalanced audio cables as short as practicable. The U2B4 is performing

both balance conversion and adding gain to lift the low domestic output levels of the CD players to a suitable level for the professional mixing desk.

The outputs being balanced are more suitable for longer cable runs and therefore the CD player/ U2B2 equipment set can be placed much further away from the mixer than the CD player alone could ever be.



Signature Series

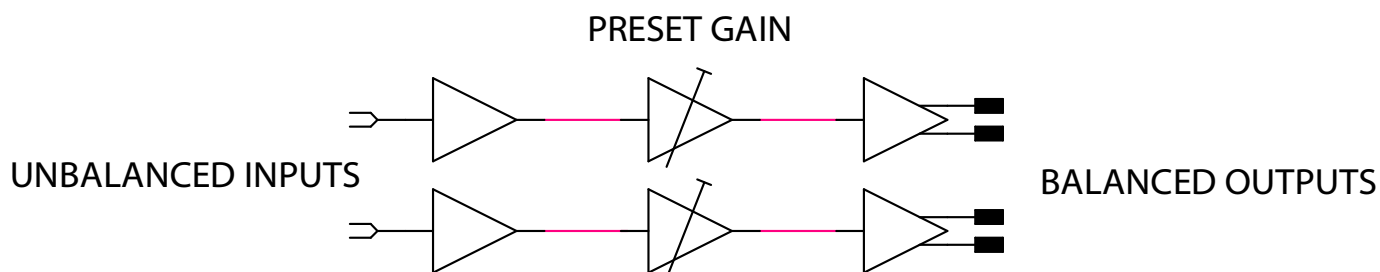
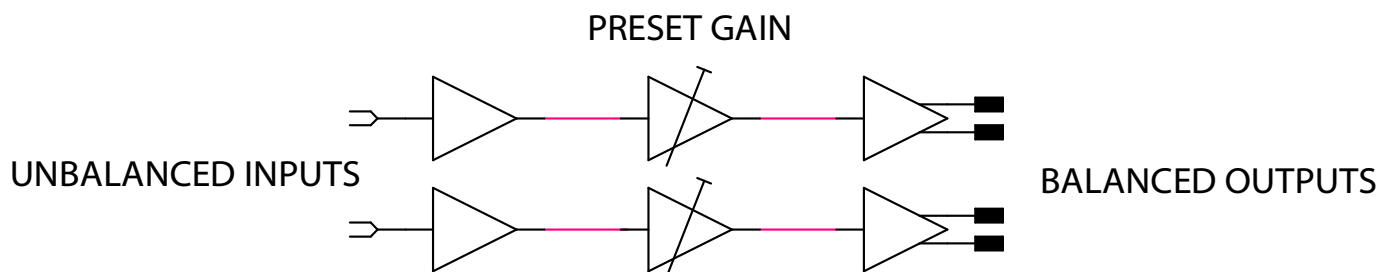
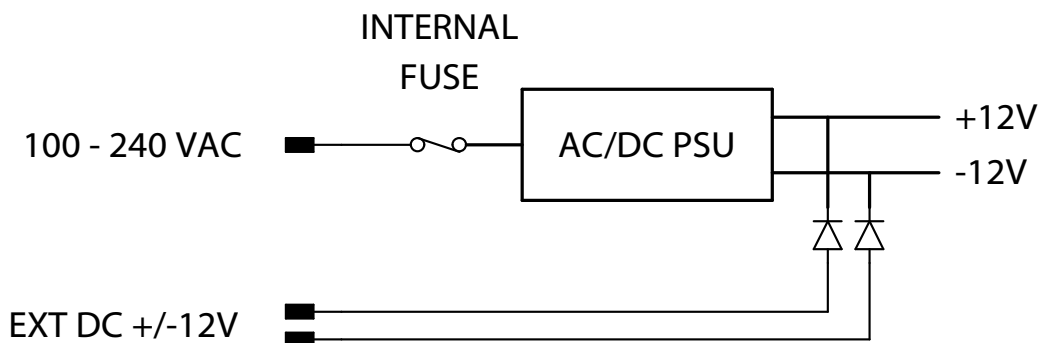
Maximum Resilience Broadcast Audio



Signature U2B4

2 off stereo unbalanced to balanced converter

AUDIO BLOCK DIAGRAM



Glensound
Keeps Working



Signature U2B4

2 off stereo unbalanced to balanced converter

SPECIFICATION

AUDIO

Frequency Response @ Line Up

<+/-0.1dB 40Hz to 20kHz

Gain Range

-15dB to +15dB on each output

Line Up Level (with 0dB Gain)

-12dBu on unbalanced input = 0dBu on balanced output

Maximum Input Level

+28dBu

Maximum Output Level

+24dBu

Input Impedance

>22k Ohm

Output Impedance

<50 Ohms

Distortion

0.04% THD @ 100Hz, 1kHz & 0.01% @ 10kHz
Reference to +0dBu output

Noise

-98dB @ line up unweighted
RMS (22Hz to 22kHz) ref +8dBu output

Crosstalk

<-90dBu 1kHz to 15kHz @ lineup

Output Type

Electronically balanced on Neutrik
3 pin XLR plug

Input Type

Electronically isolated on Gold Plated
RCA Phono socket

POWER

Mains Input

Filtered IEC, 100 to 240VAC
47 - 63Hz

AC Consumption

1.7 Watts

DC Input

4 Pin Neutrik XLR plug +/- 12V

Internal Mains Fuse

20mm 1A Anti Surge

PHYSICAL

Size

338 x 123 x 44mm (LxDxH) no rack ears
482mm 19" (1RU) with rack ears

Weight

1.00kg

Mechanics

All aluminium construction, anodized and
laser etched

Shipping Carton

Rugged export quality cardboard carton
610 x 420 x 130mm LxDxH

Shipping Weight

2.3kg

INCLUDED

Mains Lead

2 Metre Long Mains Lead
(UK & Europe only)

Rack Bolts

4 off Pozi head M6

Feet

4 off rubber stick on feet

Handbook

Full A4 handbook available to download
and linked by QR code on device

Quick Start Guide

Printed A4 double sided quick start guide

E & OE

Signature Series

Maximum Resilience Broadcast Audio



Signature Series Standard Features

STANDARD FEATURES

19" Rack Mount Ears



A Signature unit can rack mount in a 1U 19" rack, regardless of the size of the unit. Rack ears are included as standard with every unit.

Front Or Rear Mounting



A Signature unit can be rack mounted via the front panel or if it is more convenient, via the rear panel by simply swapping the rack ears over.

Side Wings For Flat Surface Fixing



A Signature unit has side wings with mounting holes at the top and bottom, allowing flush fixing from above **OR** underneath.

Neutral Colour Scheme To Compliment Equipment Areas



Rack Screws Included



Modern Design



Internal Switch Mode AC Power Supply



A Signature unit has an internal switch mode AC power supply, allowing worldwide power connections from 100-240v via an IEC socket.

12V DC Power Connection



All Signature units (except PS1) have a 4 pin XLR $\pm 12V$ DC socket for connection to the PS1 Power Station. This can act as the primary or backup power source.

Quick Find Manual



A Signature unit has a QR code attached. This can be scanned to simply and quickly locate the manual and technical information.

CONTACT

GlenSound
6 Brooks Place, Maidstone
Kent, UK, ME14 1HE
Tel: +44 (0)1622 753 662
Web: www.glenSound.co.uk
Email: sales@glenSound.co.uk


GlenSound
Keeps Working